

Society
Reference
Address
Phone
Fax
E-mail

DABSHOP.RU
Kakaev, Pavel
Pavlovskaya
+7 495 212-90-35
-
kakaev@imperiatools.ru

60173606
KI 30/120 M

MEI ≥ 0,40

8 bar (800 kPa)

-10 °C

90 °C

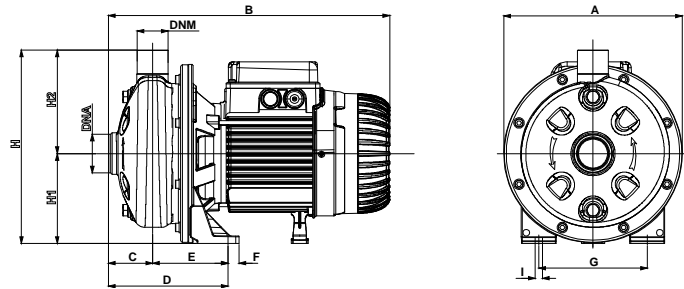
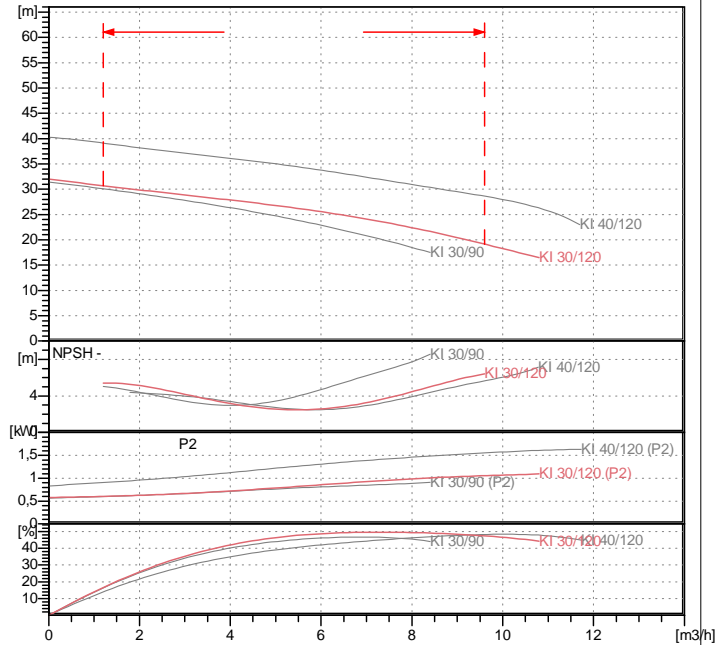
40 °C

: 0,00 m³/h
: 0,00 m
: 20 °C
: 0,99819 kg/dm³
: 1,0004 mm²/s
: 2,20 kPa

NPSH :
Shaft power P2 :
Efficiency :

AISI 304 X5 Cr Ni 1810 UNI 6900/71
AISI 304 X5 Cr Ni 1810 UNI 6900/71
Carbon/Ceramic/NBR
AISI 304
NBR
AISI 303 X10 CrNiS 1809 UNI 6900/71

Curve tolerance according to ISO 9906



13,4 kg

mm

2: DAB
1 kW
2800 1/min
1- 220-230 V 50 Hz
7 A
IP 55

A	214	IO	9
B	337		
C	53		
D	143,5		
DNA	1" 1/4 G		
DNM	1" G		
E	90,5		
F	13		
G	130		
H	232		
H1	108		
H2	124		

1 " 1/4 G/ 8 bar (800 kPa)
1 " G / 8 bar (800 kPa)



03/12/18

2 / 3

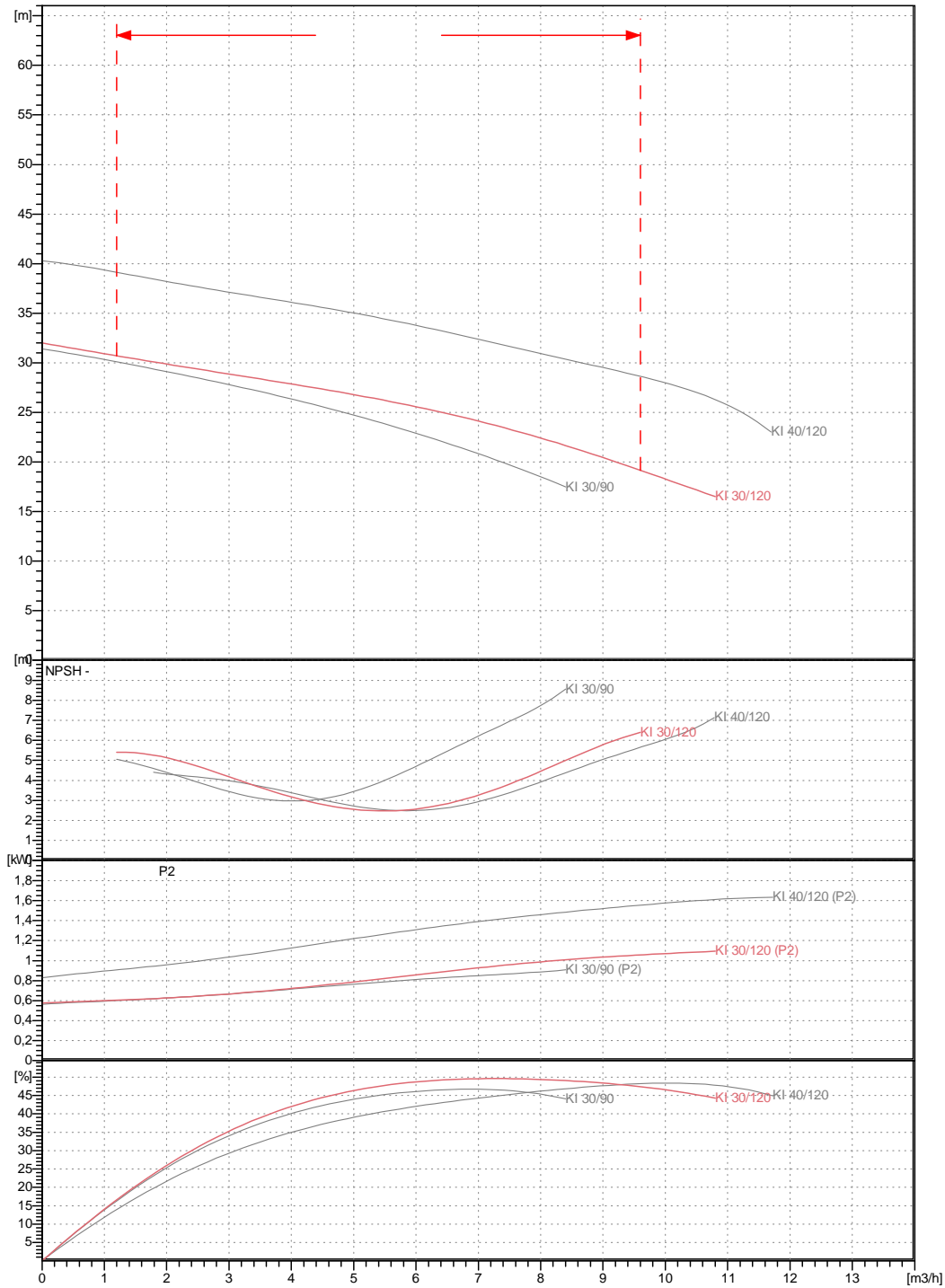
DAB PUMPS S.p.A.
Via Marco Polo, 14 - 35035 Mestrino (PD), Italy
Tel. +39 049 5125000 - Fax +39 049 5125950
www.dabpumps.com

Society
Reference
Address
Phone
Fax
E-mail

DABSHOP.RU
Kakaev, Pavel
Pavlovskaya
+7 495 212-90-35
-
kakaev@imperiatools.ru

KI 30/120 M

Curve tolerance according to ISO 9906



1 " 1/4 G
8 bar (800 kPa)

1 " G
8 bar (800 kPa)

0 m³/h

0 m

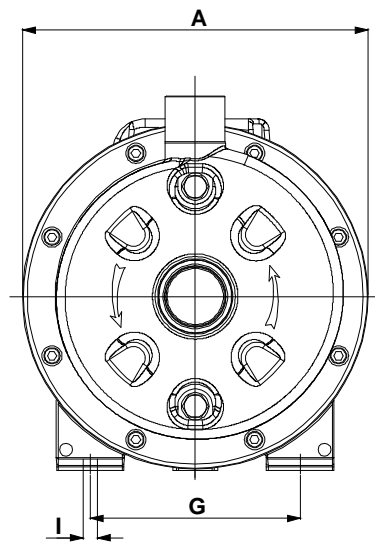
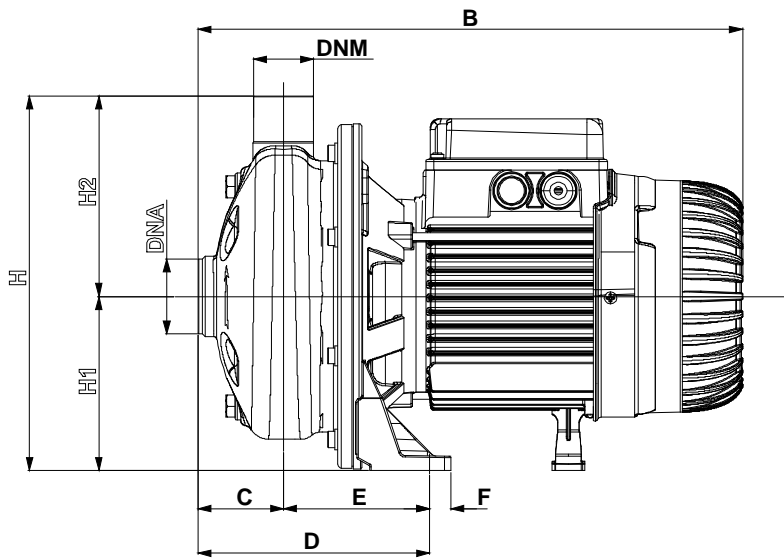
2800 1/min

03/12/18

Society
Reference
Address
Phone
Fax
E-mail

DABSHOP.RU
Kakaev, Pavel
Pavlovskaya
+7 495 212-90-35
-
kakaev@imperiatools.ru

KI 30/120 M



mm							
1	A	214	H1	108			
2	B	337	H2	124			
3	C	53	IO	9			1 " 1/4 G
4	D	143,5					8 bar (800 kPa)
5	DNA	1"1/4 G					
6	DNM	1" G					
7	E	90,5					1 " G
8	F	13					8 bar (800 kPa)
9	G	130					
10	H	232					